

## Data sheet

Commercial Art.No.: 96.031.5053.1

Device connector RST20I3S B1 M01 SW

RST20i3 device connector M25, 3 pole, female, screw connection, application 250V with PE, 20A, coding color black



Commercial Art.No.	96.031.5053.1
EAN	4015573793248
Order Unit	1

Certificates / Approvals



## Technical data

### General

Rated current	20 A
Rated voltage	250 V
Pollution degree	3
Rated impulse voltage	4 kV
Lockable	self-locking (unlocking by tool)
Color of coding/ contact carrier	black
Marking of poles	L, N, PE

### Connection Data

Connection cross section solid mm <sup>2</sup> max.	6 mm <sup>2</sup>
Connection cross section solid mm <sup>2</sup> min.	0.75 mm <sup>2</sup>
Connection cross section fine stranded mm <sup>2</sup> max.	6 mm <sup>2</sup>
Connection cross section fine stranded mm <sup>2</sup> min.	0.75 mm <sup>2</sup>
Terminations per pole	1
Wire strip length	8 mm

### Model

Model	female
Connection type	Screw connection
Connecting thread metric	M25
Angle of plug	straight
Degree of protection (IP)	IP66/68 (3m;2h) /IP69
Thickness of housings (electrical device) 2	0.5 mm
Thickness of housings (electrical device)	8 mm

**Material**

Housing material	Polyamide
halogen free	Yes
Contact material	CuZn
Fire load	0.136 kWh
Insulation components continuous temperature	100 °C
Surface finish	Silver-plated

**Dimensions**

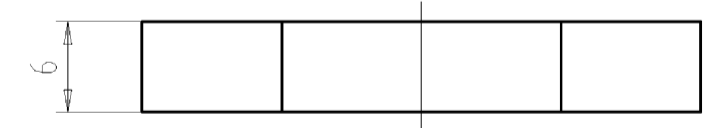
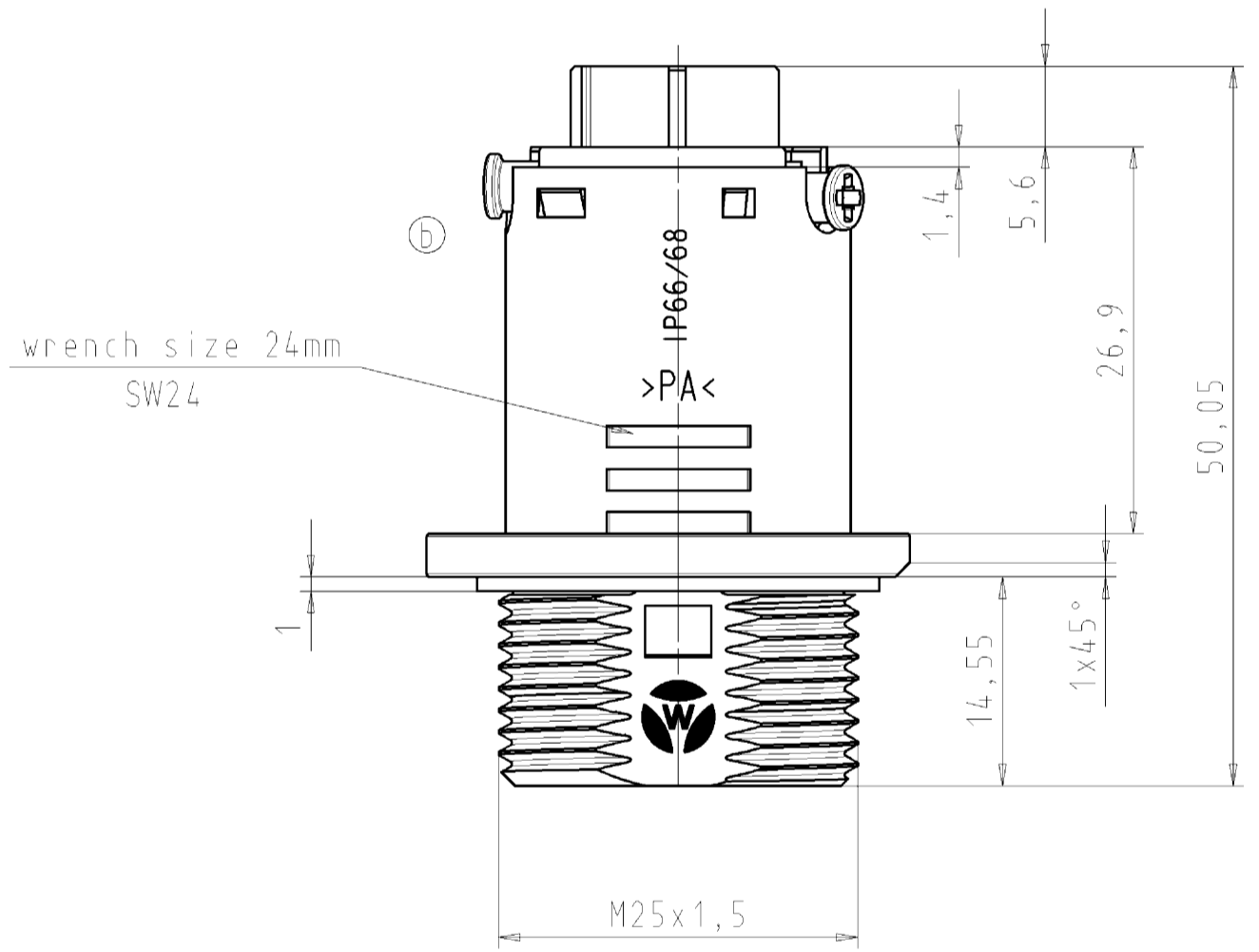
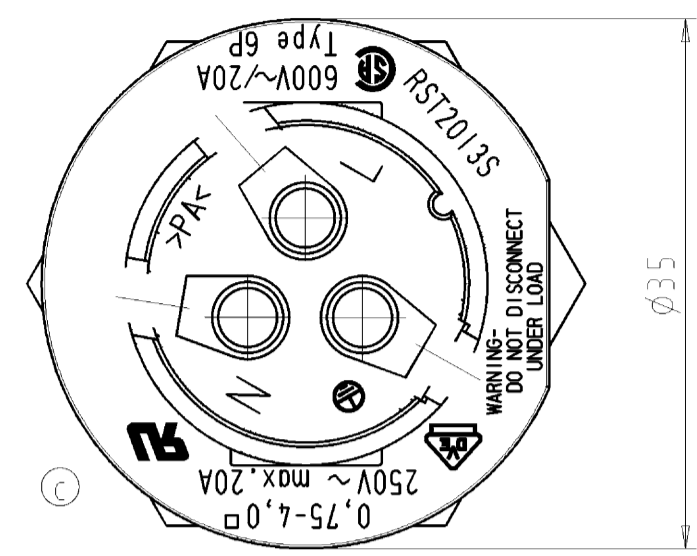
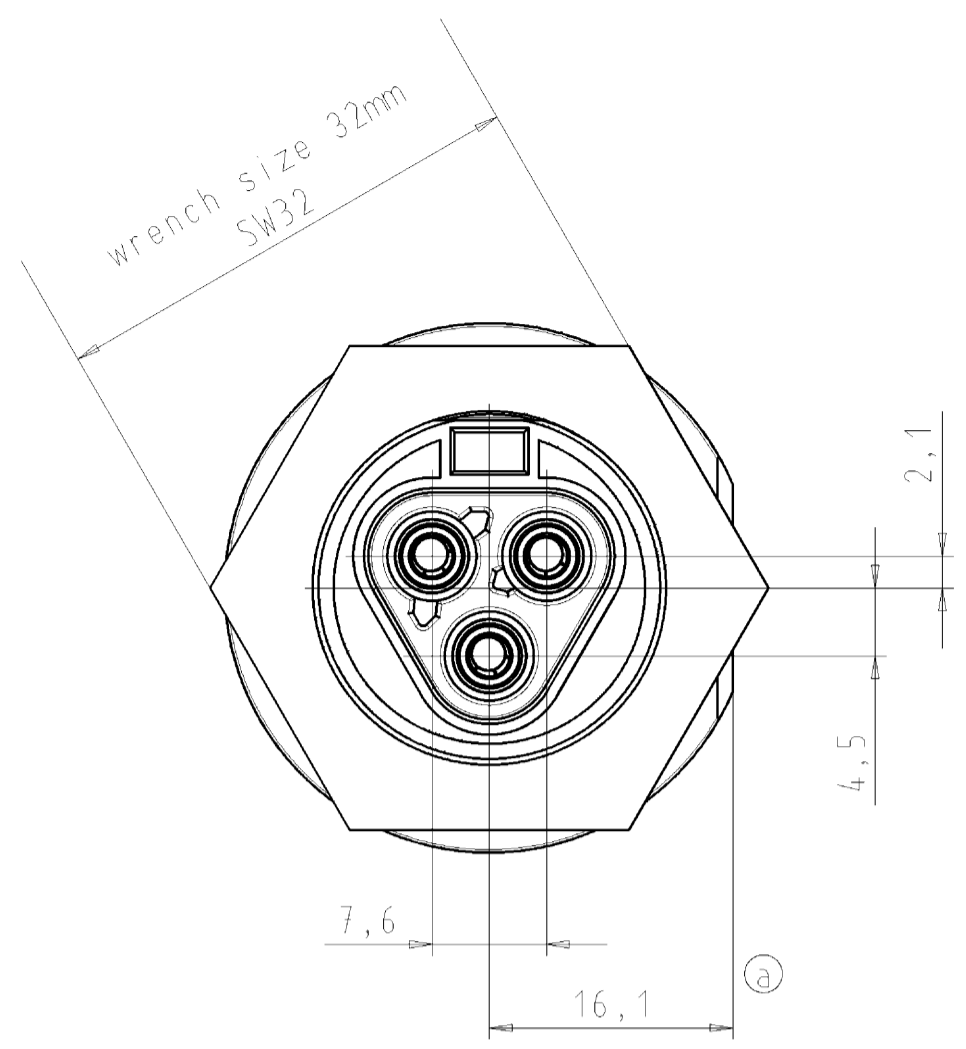
Length	50.5 mm
Width	35 mm
Height	35 mm

**Classification**

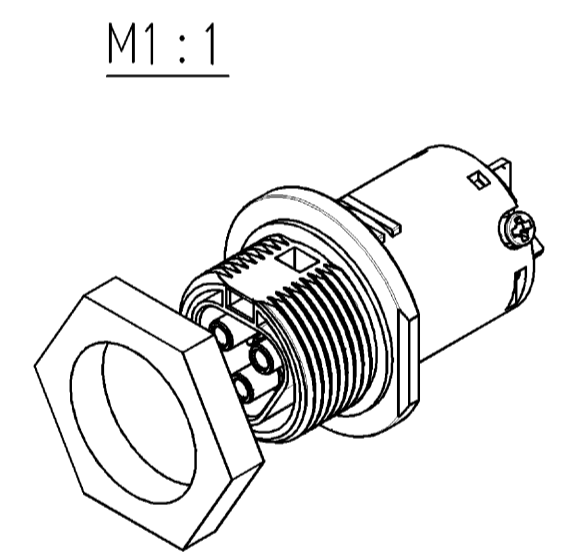
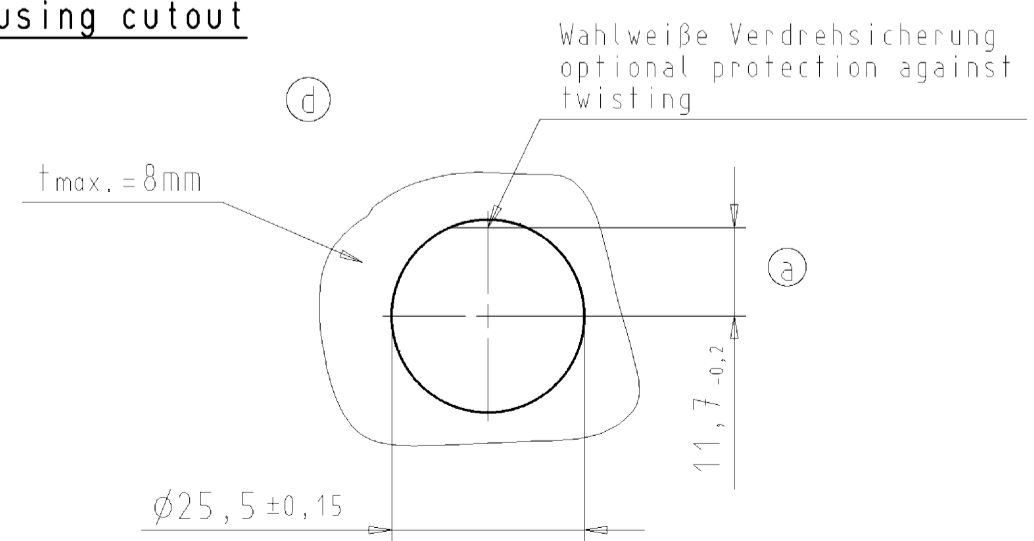
ECLASS 8.1	27440602
ETIM 7.0	EC002566
ETIM 6.0	EC002566
ETIM 5.0	EC002566
ETIM 4.0	EC002566

**Note**

Note	RST® terminals with screw clamping allow the connection of conductors without special preparation (without ferrules) according to EN 60999-1.; Positioning realised with flattened thread
------	---



Gehäuseausschnitt  
housing cutout



Teile-Nr./ part-nr.	Farbe:/ color:	Einz.-Tl.-Nr.: *)/ single-part-nr.:*)
96.031.5053.1	schwarz, ähnl. RAL 9005/ black, similar to RAL 9005	....._1
96.031.5053.0	lichtgrau, ähnl. RAL 7035/ lightgrey, similar to RAL 7035	....._0

Verpackungseinheit: je 100 Stk.  
packaging unit: per 100

Tolerierung nach DIN 7167/Tolerance system acc. to DIN 7167. (This DIN-standard describes the envelope principle. According to the envelope principle the deviations of form and parallelism are limited by the size tolerances).		ja/yes <input checked="" type="checkbox"/> Stoffverhalts- und Deklarationsliste nach UU-TQM-05/03 ist einzuhalten. Conformity with Wieland document UU-TQM-05/03 (list of prohibited / declarable hazardous substances) to be declared!	
Freitoleranz nach General tolerance		CAD - Zeichnung, keine manuellen Änderungen EAD - drawing, no manual modifications allowed	
1. Verwendung: First Use:		-	
Blatt: Sheet:		1 von el 1	
Zeichnung Nr./Drawing No.		Index	
T		96.031.5053.0 01K d	
Maße in mm/Dimensions are in mm			
Werkstoff/Material		2004	Tag/Date
Werkstoff und Oberfläche: material and surface: Farbe: siehe Tabelle color: look table		gezeichnet drawn	25.03.
Maßstab/Scale		geprüft checked	-
2:1		Wartung: stand. check	-
Vol.		Ersatz für/Replacement for: -	
mm Offl./Surf.		mm	
b		12.05.2005/	
a		08.12.2004/	
Index		Datum / Blatt Date / Sheet	
Änderung/Revision		Type	
RST2013		Benennung/Title	
S B1 M1V		BUCHSENTEIL	
female connector/für Geräteschluß M25/for device connection M25 Schraubenschluß ohne Drahtschutz/screw-connection without wire protection			

Weitergabe sowie Vervielfältigung dieses Dokuments, Verwertung und Mitteilung seines Inhalts sind verboten, soweit nicht ausdrücklich gestattet. Die Reproduktion, Distribution und Utilization of this document as well as the communication of its contents to others without express authorization is prohibited.

96031505301K\_2\_CAD2021 Filter\_28/2-08-16T07:44:13 1/000